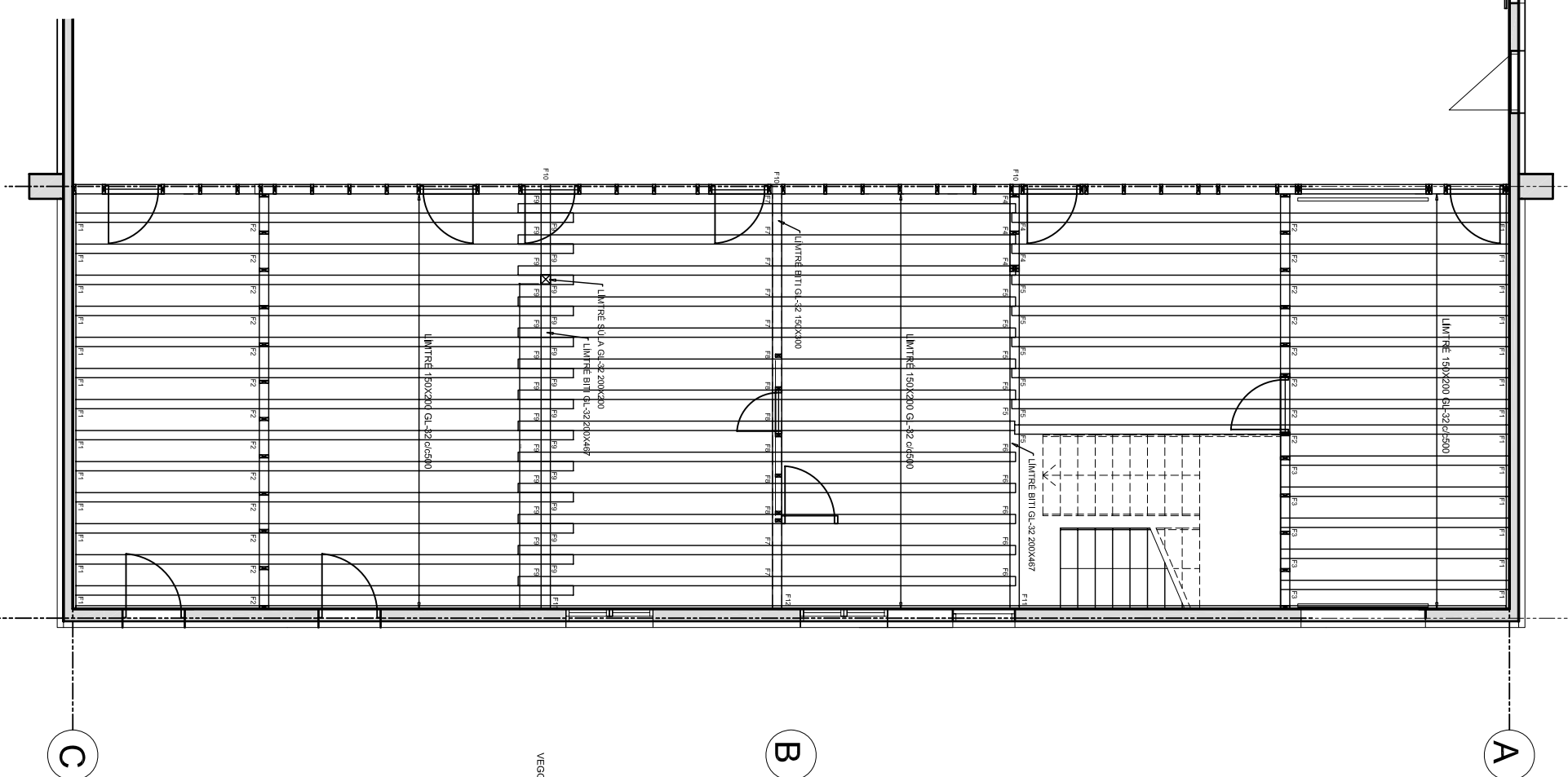
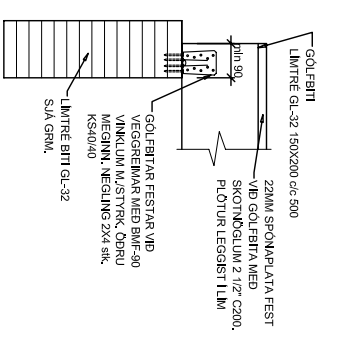


2

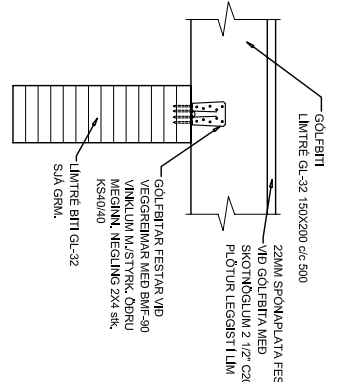
1



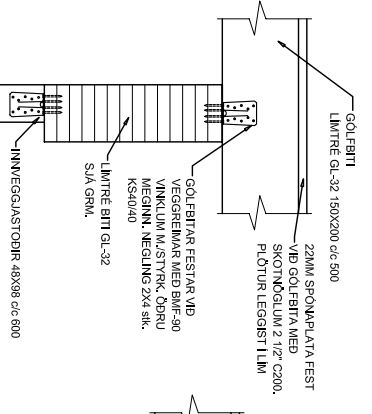
FESTING, F6 1:10



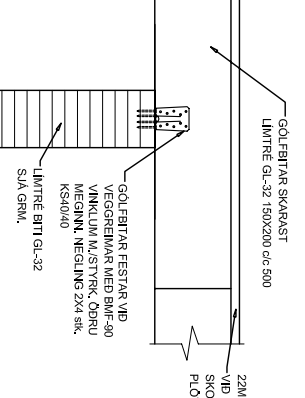
FESTING, F7 1:10



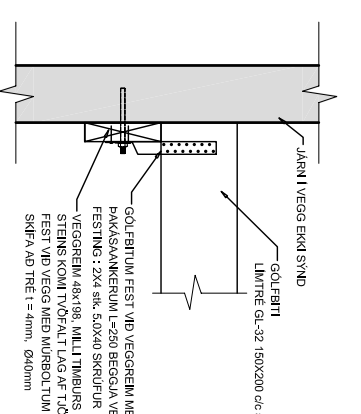
FESTING, F8 1:10



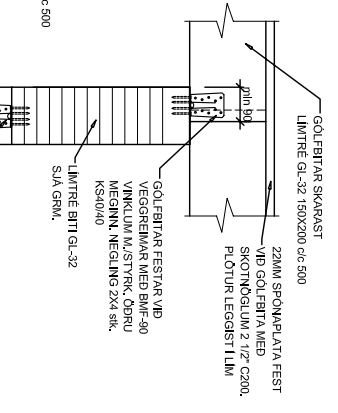
FESTING, F9 1:10



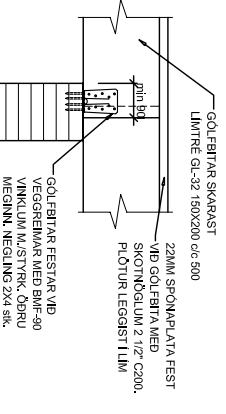
FESTING, F1 1:10



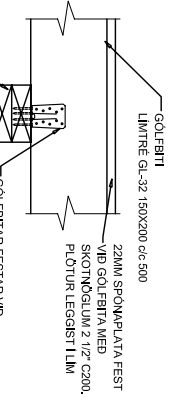
FESTING, F4 1:10



FESTING, F5 1:10

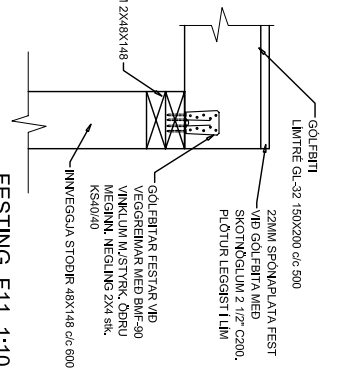


FESTING, F2 1:10

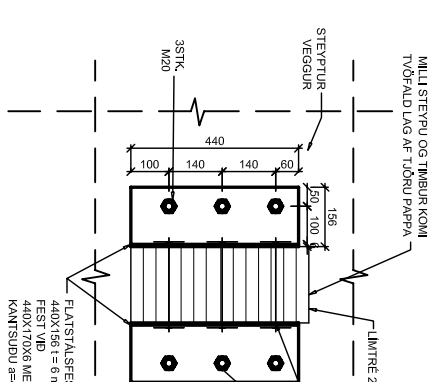


B

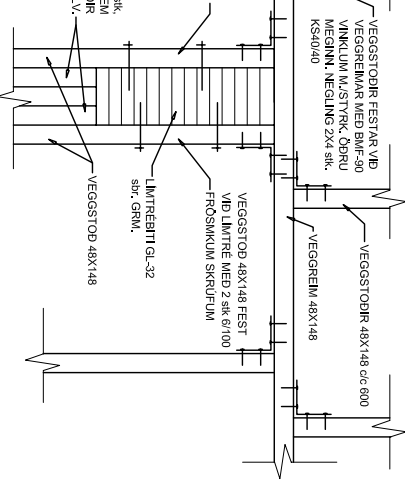
FESTING, F3 1:10



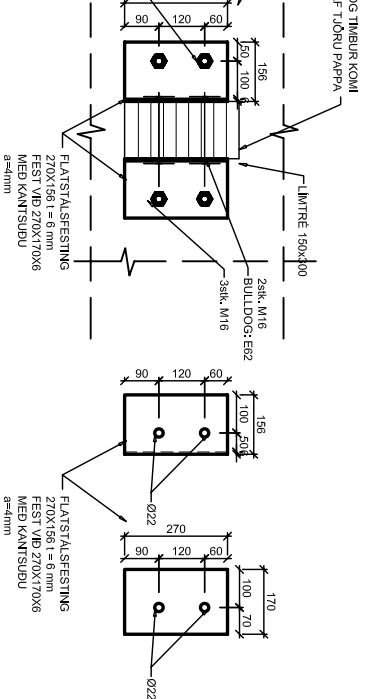
FESTING, F11 1:10



FESTING, F10 1:10



FESTING, F12 1:10



Verktæðistofía Hauks Ásgeirssonar e.h.f.
 Dálvegur 18, 201 Kópavogur
 Sími 534-8815 Farsími 897-8132
 e-mail: haukur@vha.is
 Kennitala: 560600-3050

VHÁ
 Kennitala: 560600-3050

Hannaf Tréland Samgöngur
 H.A. Kennitala 307255-4629

SMÍÐJUGATA 5
 SVEITARFÉLAG
 BURDARVIRKI
 GRUNNMIYND MILLIGÖLFIS

Mkv.	Tekn. nr.	Verk nr.
1:10	2-1.1	1264
Aftun samræmingarnúmer:		Ungla Dags
		A Mál 2011